

# TILLREDA



Design and Quality  
IKEA of Sweden



<b>ENGLISH</b>	<b>5</b>
<b>FRANÇAIS</b>	<b>20</b>
<b>ESPAÑOL</b>	<b>36</b>

State of California Proposition 65 Warnings:

**WARNING:** This product contains one or more chemicals known to the State of California to cause cancer.

**WARNING:** This product contains one or more chemicals known to the State of California to cause birth defects or other reproductive harm.

Avertissements de la proposition 65 de Californie :

**AVERTISSEMENT :** Ce produit contient un ou plus des produits chimiques reconnus par l'État de Californie comme cancérigènes.

**AVERTISSEMENT :** Ce produit contient un ou plus des produits chimiques reconnus par l'État de Californie comme étant à l'origine de malformations congénitales ou d'autres problèmes de reproduction.

Advertencias de la Proposition 65 del Estado de California:

**ADVERTENCIA:** Este producto contiene uno a más químicos que según el Estado de California son causantes de cáncer.

**ADVERTENCIA:** Este producto contiene uno o más agentes químicos que según el Estado de California son causantes de defectos de nacimiento u otros daños reproductivos.

## Contents

Important safeguards	5	Care and Cleaning	15
Safety Instruction	10	What to do if...	16
Product Description	12	Technical Information	17
Daily Use	13	Environmental Concerns	17
Helpful Hints and Tips	14	IKEA Guarantee	18

## IMPORTANT SAFEGUARDS

ⓘ For your safety and correct operation of the appliance, read this manual carefully before installation and use. Always keep these instructions with the appliance even if you move or sell it. Users must fully know the operation and safety features of the appliance. When using electrical appliances, basic safety precaution should always be followed including the following:

### General safety

- Read all instructions.
- Do not touch hot surfaces. Use handles or knobs.
- To protect against electrical shock do not immerse cord, plugs, or complete product in water or other liquid.
- Close supervision is necessary when any appliance is used by or near children.
- Unplug from outlet when not in use and before cleaning. Allow to cool before putting on or taking off parts.
- Do not operate any appliance with a damaged cord or plug or after the appliance malfunctions or has been damaged in any manner. Return appliance to the nearest authorized service facility for examination, repair, or adjustment.
- The use of accessory attachments not recommended by the appliance manufacturer may cause injuries.
- Do not use outdoors
- Do not let cord hang over edge of table or counter, or touch hot surfaces.

- Do not place on or near a hot gas or electric burner, or in a heated oven.
- Always attach plug to appliance first, then plug cord into the wall outlet. To disconnect, turn any control to off, then remove plug from wall outlet.
- Do not attempt to modify the plug in any way.
- Do not use appliance for other than intended use.
- The appliance is attended for household use only. Do not use outdoor.
- Do Not Cook on Broken Cook-Top – If cook-top should break, cleaning solutions and spillovers may penetrate the broken cook-top and create a risk of electric shock.
- Clean Cook-Top with Caution – If a wet sponge or cloth is used to wipe spills on a hot cooking area, be careful to avoid steam burn, some cleaners can produce noxious fumes if applied to a hot surface
- Do not place metallic objects such as knives, forks, spoons and lids on the Table Stove since they can get hot.
- Save these Instructions.
- Do not leave the appliance unattended during operation.
- The appliance is designed exclusively for domestic use.
- The appliance is designed exclusively for indoor use.
- If the supply cord is damaged, it must be replaced by the manufacturer, the Authorised Service Centre or similarly qualified persons in order to avoid a hazard.
- Metallic objects such as knives, forks, spoons and lids should not be placed on the hob surface since they can get hot.
- A steam cleaner is not to be used for cleaning the appliance.
- After use, switch off the hob element by its control and do not rely on the pan detector.
- This appliance is not intended to be operated by means of an external timer or separate remote-control system.
- Care should be taken to avoid touching heating elements.

- The appliance must not be used as a work surface or as a storage surface.
- Do not place or store flammable liquids, highly inflammable materials or fusible objects (e.g. plastic film, plastic, aluminium) in or near the appliance.
- Watch out when connecting electric appliances to sockets nearby. Do not allow connecting leads to come into contact with or to catch underneath the appliance or hot cookware.
- Do not do repairs yourself to prevent injury and damage to the appliance. Always contact your local After Sales Service (refer to the Service chapter).
- Keep ventilations openings, in the appliance enclosure or in the built-in structure, clear of obstruction.
- Do not touch the panel when the residual heat indicator is still lit in order to prevent injury.
- Do not insert any object into the induction hob during operation to prevent electric shock.
- The temperature of accessible surfaces may be high when the appliance is operating.
- When the appliance is not in use and before cleaning, unplug the appliance from the outlet firstly.
- To protect against the risk of electrical shock, do not immerse the unit, cord or plug in water or other liquid.
- The appliance is only intended for the purpose described in user manual. Do not use appliance or any part of the appliance out of the intended use to avoid risk.
- This appliance is intended to be used in household and similar applications such as:
  - staff kitchen areas in shops, offices and other working environments;
  - farm houses;
  - by clients in hotels, motels and other residential type environments;
  - bed and breakfast type environments.

**⚠ Warning!** Use only hob guards designed by the manufacturer of the cooking appliance or indicated by the manufacturer of the appliance in the instructions for use as suitable or hob guards incorporated in the appliance. The use of inappropriate guards can cause accidents.

**⚠ Warning!** If the surface is cracked, switch off the appliance to avoid the possibility of electric shock.



The ceramic plate will be hot after cooking. Do not touch with your hands.

**⚠ Warning!** The appliance and its accessible parts become hot during use.

**⚠ Warning!** Unattended cooking on a hob with fat or oil can be dangerous and may result in fire. NEVER try to extinguish a fire with water, but switch off the appliance and then cover flame e.g. with a lid or a fire blanket.

### **Child and vulnerable people safety**

- This appliance can be used by children aged from 8 years and above and persons with reduced physical, sensory or mental capabilities or lack of experience and knowledge if they have been given supervision or instruction concerning use of the appliance in a safe way and understand the hazards involved.
- Children shall not play with the appliance.
- Cleaning and user maintenance shall not be made by children without supervision.
- Children less than 8 years of age shall be kept away unless continuously supervised.



- Keep all packaging away from children.
- Keep children away from the appliance while in operation as when not in use.
- Keep the appliance and its cord out of reach of children less than 8 years.

**⚠ Warning!** Activate the child safety device to avoid small children and pets unintentionally switching the appliance on.

## Safety Instruction

### Installation

- Manufacturer is not responsible for any injury to persons and pets or damage to property caused by failure to comply following requirements.

**⚠ Caution!** To proceed with the installation refer to the Safety Information.

**⚠ Warning!** Installation process must follow the laws, ordinances, directives and standards (electrical safety rules and regulations, proper recycling in accordance with the regulations, etc.) in force in the country of use!

**⚠ Warning!** Risk of injury from electrical current.

- a) The electrical mains terminal is live.
- b) Make electrical mains terminal free of voltage.
- c) Loose and inappropriate plug and socket connections can make the terminal overheat.
- d) Have the clamping connections correctly installed.

**⚠ Warning!** Keep the distance of 10 cm clear around the appliance.

- Avoid installing the appliance next to doors and under windows as hot cookware may be knocked off the hob when doors and windows are opened.
- Place the machine on flat and solid surface ONLY.
- Do not place the machine on carpet, cloth or paper material when the machine is in working condition.
- Do not use the appliance near water, fire or damp areas.
- This appliance is only for indoor use, not design for outdoor or use under rain.
- Make sure that the appliance is not damaged because of transport. Do not connect a damaged appliance.
- Do not install the appliance if it is damaged during the transportation.
- Do not connect the hob with extension cords and do not place the hob with cord across working areas.
- Use the main power supply socket only.
- Do not change the specifications or modify this product. Risk of injury and damage to the appliance.

**⚠ Warning!** Carefully obey the instructions for electrical connections.

### Electrical connection

- Before connecting, check that the nominal voltage of the appliance stated on the rating plate, corresponds to the available supply voltage. Also, check the power rating of the appliance and ensure that the wire is suitably sized to suit the appliance power rating (refer to the Technical data chapter).
- The rating plate is located on the lower casing of the hob.

### Before Use:

Please pay attention to the following instructions before use.

- Please use the standard main power supply socket, and regularly check with the socket to prevent any damage.
- Please check with the power cord and plug. If the power cord or plug is damaged, please do not use the machine. Do not pull out the plug with wet hand.
- If the machine is not in use for a long period of time, please turn on the machine to stabilize the electronic component for 10 minutes first. Then, you can start to operate the machine.
- Remove all packaging, stickers and film from the appliance before the first use.

**⚠ Warning!** Fire hazard! Overheated fats and oils can ignite very quickly.

**⚠ Warning!** Users with implanted pacemakers should keep their upper body at least 30 cm from induction cooking zones that are switched on.

**⚠ Warning!** Do not operate the appliance with wet hands and keep control panel surface dry. Lot of water on control panel keys will make them no longer operable.

### During & After Use:

Please pay attention to the following instruction to prevent ignition and accidents.

- Do not place any following objects on the panel when the machine is in working condition.

- a) Stainless steel
  - b) Iron
  - c) Cast iron
  - d) Aluminum
  - e) Lid and enamel
  - f) Knife, fork or spoon
  - g) Plate is made of iron, stainless steel, cast iron or aluminum
  - h) Empty cookware
- Do not carry or move the machine with cookware on top during heating.
  - Please maintain a good surrounding environment for ventilation during heating.
  - Do not insert any wire or metal objects into the air inlet or venting outlet of the machine.
  - How to take care of the panel
    - a) Do not drop any heavy objects to the panel.
    - b) Do not pour water, acid or any liquid to the panel.
    - c) Do not burn anything with fire on the panel.
    - d) Do not place any hot cookware on top when the machine is not in use.
    - e) If the surface (panel) is cracked, turn off the machine immediately to avoid electric shock, and return to nearest IKEA store.
    - f) Some of the cookware may generate a noise during use. Please slightly move the cookware, and the noise may disappear or reduce. If not, please change the cookware.
  - Do not touch the appliance while it is hot. The appliance is still hot until the residual heat indicator is removed, even if the power is off.
  - Do not unplug the machine by pulling the cable.
  - Turn off the machine and let cool down before unplug.
  - Unplug the power cord when the machine is not in use for long period of time.
  - Keep the cookware away from the machine after use.

#### How to avoid damage to the appliance

- The glass ceramic can be damaged by objects falling onto it, or knocked by the cookware.
- Cookware made of cast iron, cast aluminum or with damaged bottoms can scratch the glass ceramic if slid on the surface.

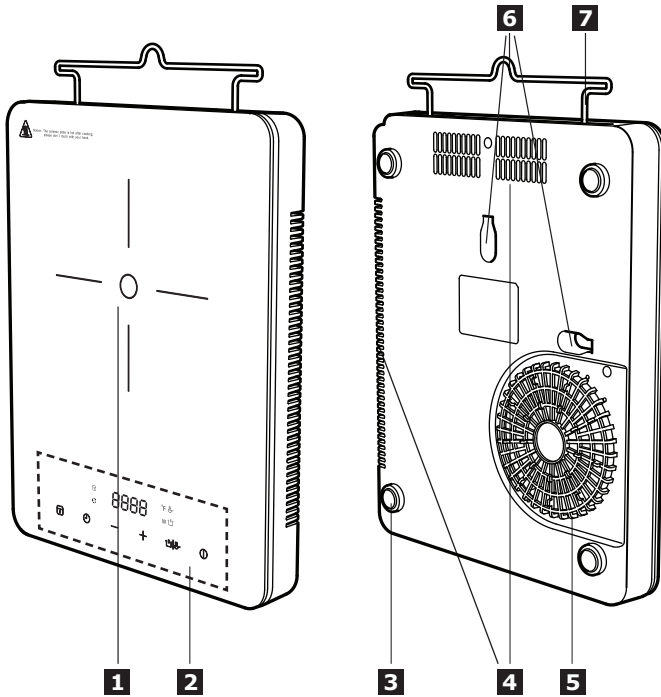
- Glass ceramic can be damaged if also dropped on the floor.
- To avoid damaging cookware and glass ceramics, do not allow saucepans or frying pans to boil dry.
- Do not use the cooking zones with empty cookware or without cookware.
- Never line any part of the appliance with aluminium foil. Never place plastic or any other material which may melt in or on the appliance.

**⚠Warning!** Keep product connected to power socket after use until the fan and the heat indicator has shut off.

#### Information on acrylamides

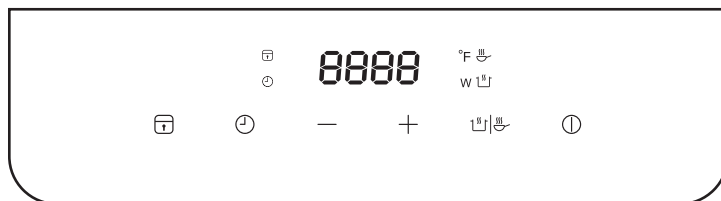
**Important!** According to the latest scientific knowledge, intensive browning of food, especially in products containing starch, can constitute a health risk due to acrylamides. Therefore, we recommend cooking at the lowest possible temperatures and not browning foods too much.

# Product Description



- 1** Heating area  
Cooking zone 175mm, 1800W
- 2** Control panel
- 3** Rubber feet

- 4** Air outlet
- 5** Air inlet
- 6** Hook hanger
- 7** Wire handle/cord winder



### Control Panel Layout

1. to activate and deactivate the Lock/Child safety device
2. to activate the Timer. Timer display setting "00:00" to "24:00" hours and minutes.
3. to increase heat/fry setting/timer setting, or to decrease the heat/fry setting/timer setting

4. To choose the cooking functions of Heat or Fry function.
5. to switch the hob on or off.

### Touch Control sensor fields and displays

You operate the hob by touching sensor fields. Displays and acoustic signals (short beep) confirm the selection of a function.

## Daily Use



### Connecting to socket

1. After insert the plug into main supply, the child lock will be activated. Press and hold the Child Lock key for 3 seconds to deactivate.

### ON/OFF

1. Press the ON/OFF key, the screen will display "----" as in standby mode. If there is no function setting selected within 1 minute, the hob will switch off automatically without pressing the ON/OFF key.
2. Press ON/OFF key during operation, the hob will switch off.



### Heat & Fry

1. Select Heat or Fry function by pressing "Heat/Fry" and the set function will light up.
2. Press 1 time to activate the Heat function. Heat is displayed in power levels between 60W to 1800W.
3. Press 2 times to activate Fry function. Fry is displayed in temperature levels between 140-450°F.



### Heat/Fry/Timer setting

1. Press or to control the heat/fry level or timer setting during operation.
2. Press , the heat/fry level will decrease.
3. Press , the heat/fry level will increase.



### Lock / Child Safety Device

When the cooking zones operate, you can lock the control panel. It prevents an accidental change of the heat setting. The hob can still be shut off by the ON/OFF key.

### Activate Lock function:

1. Set the wanted heat setting.
2. Activate lock function by pressing the Lock key. The Lock key is activated when it is lit up and a sound is given. If active the Timer key, it will stay on.

### Deactivate lock function:

1. Deactivate lock function by pressing the Lock key for 3 seconds. The Lock key is deactivated when the light stops and a sound is given.
2. The heat setting will return to the previous setting.

You can also keep control panel locked when the hob is not operating. This function prevents an accidental operation of the appliance.

#### Activate the child safety device

1. Activate the appliance with the ON/OFF key. Do not set the heat settings.
2. Activate safety device function by pressing the Lock key. The Lock key is activated when it is lit up and a sound is given.
3. Deactivate the appliance with the ON/OFF key.

#### Deactivate the child safety device

1. Deactivate safety device function by pressing the Lock key for 3 seconds. The Lock key is deactivated when the light stops and a sound is given.



#### Timer

1. The timer function is used to set cooking time with a maximum time of 24 hours. Press the Timer key to activate Timer, the screen will display "00:00".


2. Press  $\oplus$  or  $\ominus$  to set timer. Press  $\oplus$  to set minutes, press  $\ominus$  to set hours.
3. If there is no operation of time within 5 seconds, the timer will be cancelled.
4. During the Timer status, the power level and time will be alternately displayed in the screen. The timer can be deactivated by pressing Timer key or pressing ON/OFF.
5. When the timer has ended, the hob will beep 5 times and switch off automatically.


#### Automatic Switch off

The function switches the hob off automatically if:

- All cooking zones are switched off.
- You do not set the heat setting after switching on the hob within 1 minute.
- You do not switch a cooking zone off or you do not modify the heat setting after 2 hours, or if the overheating occurs (e.g. when a pan boils dry).

## Helpful Hints and Tips

 Cookware is suitable for induction cooking zones if marked by the manufacturer.

 When a cooking zone is switched on, it may hum briefly. This is a characteristic of all ceramic glass cooking zones and does not impair either the function or the life of the appliance.

#### Cookware sizes

Induction cooking zones adapt automatically to the size of the bottom of the cookware. But, it must have a minimum diameter depending on the size of the cooking zone.

Cooking zone	Minimum diameter of cookware base [mm]
Middle rear cooking zone	120

#### Energy saving

- If possible, always place lids on the pans.
- Place cookware on the cooking zone before you switch it on.
- The bottom of the cookware should be as thick and flat as possible.

## Care and Cleaning

- ⚠ **Warning!** Switch the appliance off and let it cool down before disconnecting it.
- ⚠ **Warning!** Disconnect the appliance from the wall socket before you clean it.
- ⚠ **Warning!** For safety reasons, do not clean the appliance with steam blasters or high-pressure cleaners.
- ⚠ **Warning!** Sharp objects and abrasive cleaning agents will damage the appliance. Clean the appliance and remove the residues with water and washing up liquid after each use. Remove also the remnants of the cleaning agents!
- ⓘ Scratches or dark stains on the glass ceramic that cannot be removed do not affect the functioning of the appliance.

### Removing the residues and stubborn residues:

- Food containing sugar, plastics, tin foil residues should be removed at once, best tool for cleaning glass surface is a scraper (not included with the appliance). Place a scraper on the glass ceramic surface at an angle and remove residues by sliding the blade over the surface. Wipe the appliance with a damp cloth and a little washing up liquid. Finally, rub the appliance dry using a clean cloth.
- Limescale rings, water rings, fat splashes, shiny metallic discolorations should be removed after the appliance has cooled down using cleaner for glass ceramic and a soft cloth. Do not use scraper or other sharp tools for cleaning.

## What to do if...

Problem	Possible Cause	Solution
The appliance does not operate.	Power shortage or power short circuit in the power source of your home.	
	Power connection to socket not performed properly.	Overlook the power supply to hob for correct connection.
	More than 10 seconds have passed since the appliance was switched on.	Switch the appliance on again.
	The child safety device is switched on.	Deactivate child safety device. (See the section "Child safety device").
	Several sensor fields were touched at the same time.	Only touch one sensor field.
Machine stops operating. Error indication: <b>E1</b>	The cookware is not suitable for induction cooker.	Change to a cookware suitable for induction.
	No cookware on cooking zone.	Place cookware on the cooking zone.
Machine stops operating. Error indication: <b>E2</b>	The cookware is empty (dry-boiling) or cooking temperature is too high.	Turn off the machine and restart after 5 minutes. If E2 still remain, please contact nearest IKEA store.
	The air inlet and outlet is being blocked.	
	Surrounding temperature is too high.	
Machine stops operating. Error indication: <b>E3</b>	The main power supply is over AC 150V.	Change to product suitable power supply.
Machine stops operating. Error indication: <b>E4</b>	The main power supply is lower than AC 90V.	Change to product suitable power supply.
Machine stops operating. Error indication: <b>E5</b>	The temperature sensor of the machine is not working.	Please contact nearest IKEA store.
Machine stops operating. Error indication: <b>E6</b>	The cookware is empty (dry-boiling) or cooking temperature is too high.	Let appliance cool down and for frying/stir-frying be aware to use Fry function, not Heat function.

If there is a fault, first try to find a solution to the problem yourself. If you cannot find a solution to the problem yourself, contact nearest IKEA store.

- i** If you operated the appliance wrongly, dealer may not take place free of charge, even during the warranty period.




## Technical Information


### Technical data

Rated Power	1800W
Rated Voltage	120V~
Rated Frequency	60Hz
Depth	385mm
Width	300mm
Height	54mm
Net Weight	3kg


## Environmental Concerns

The symbol  on the product or on its packaging indicates that this product may not be treated as household waste. Instead it should be taken to the appropriate collection point for the recycling of electrical and electronic equipment. By ensuring this product is disposed of correctly, you will help prevent potential negative consequences for the environment and human health, which could otherwise be caused by inappropriate waste handling of this product. For more detailed information about recycling of this product, please contact your local council, your household waste disposal service or the shop where you purchased the product.

### Packaging materials

The materials with the symbol  are recyclable. Dispose the packaging in a suitable collection container to recycle it.

### Before disposal of appliance

 **Warning!** Do these steps to dispose the appliance:

- Pull the mains plug out of the mains socket.
- Cut off the mains cable and discard it.

## IKEA Guarantee

### How long is the IKEA guarantee valid?

This guarantee is valid for five (5) years from the original date of purchase of your appliance at IKEA, unless the appliance is named LAGAN or TILLREDA in which case two (2) years of guarantee apply. The original sales receipt, is required as proof of purchase. If service work is carried out under guarantee, this will not extend the guarantee period for the appliance.

### Who will execute the service?

Contact nearest IKEA store.

### What does this guarantee cover?

The guarantee covers faults of the appliance, which have been caused by faulty construction or material faults from the date of purchase from IKEA. This guarantee applies to domestic use only. The exceptions are specified under the headline "What is not covered under this guarantee?" Within the guarantee period, the costs to remedy the fault e.g. repairs, parts, labour and travel will be covered, provided that the appliance is accessible for repair without special expenditure. Replaced parts become the property of IKEA.

### What will IKEA do to correct the problem?

IKEA will examine the product and decide, at its sole discretion, if it is covered under this guarantee. If considered covered, IKEA will then, at its sole discretion, either repair the defective product or replace it with the same or a comparable product.

### What is not covered under this guarantee?

- Normal wear and tear.
- Deliberate or negligent damage, damage caused by failure to observe operating instructions, incorrect installation or by connection to the wrong voltage, damage caused by chemical or electrochemical reaction, rust, corrosion or water damage including but not limited to damage caused by excessive lime in the water supply, damage caused by abnormal environmental conditions.
- Consumable parts including batteries and lamps.
- Non-functional and decorative parts which do not affect normal use of the appliance, including any scratches and

possible colour differences.

- Accidental damage caused by foreign objects or substances and cleaning or unblocking of filters, drainage systems or soap drawers.
- Damage to the following parts: ceramic glass, accessories, crockery and cutlery baskets, feed and drainage pipes, seals, lamps and lamp covers, screens, knobs, casings and parts of casings. Unless such damages can be proved to have been caused by production faults.
- Repairs not carried out by our appointed service providers and/or an authorized service contractual partner or where non-original parts have been used.
- Repairs caused by installation which is faulty or not according to specification.
- The use of the appliance in a non-domestic environment i.e. professional use.
- Transportation damages. If a customer transports the product to his home or another address, IKEA is not liable for any damage that may occur during transport. However, if IKEA delivers the product to the customer's delivery address, then damage to the product that occurs during this delivery will be covered by IKEA.
- Cost for carrying out the initial installation of the IKEA appliance. However, if an IKEA appointed Service Provider or its authorized service partner repairs or replaces the appliance under the terms of this guarantee, the appointed Service Provider or its authorized service partner will reinstall the repaired appliance or install the replacement, if necessary.

### How country law applies

The IKEA guarantee gives you specific legal rights, which cover or exceed all the local legal demands. However these conditions do not limit in any way consumer rights described in the local legislation.

### Area of validity

This IKEA guarantee applies only to products purchased and installed in United States of America, Canada, and Dominican Republic.

An obligation to carry out services in the framework of the guarantee exists only if

the appliance complies and is installed in accordance with:

- The technical specifications of the country in which the guarantee claim is made;
- The Assembly Instructions and User Manual Safety Information.

#### **AFTER SALES for IKEA appliances**

Please don't hesitate to contact IKEA to:

- make a service request under this guarantee;
- ask for clarification on functions of IKEA appliances

To ensure that we provide you with the best assistance, please read carefully the Assembly Instructions and/or the User Manual before contacting us.



#### **How to reach us if you need our service**

The IKEA after sales customer service centre will assist you on the phone with basic trouble shooting for your appliance at the time of service call request. Please see the IKEA catalogue or visit **[www.ikea.com](http://www.ikea.com)** to find your local store phone number and opening time.

**In order to provide you a quicker service, please also always refer to the IKEA article number (8 digit code) placed on the rating plate of your appliance.**

#### **SAVE THE SALES RECEIPT!**

It is your proof of purchase and required for the guarantee to apply. The sales receipt also reports the IKEA name and article number (8 digit code) for each of the appliances you have purchased.

#### **Do you need extra help?**

For any additional questions not related to After Sales of your appliances please contact your nearest IKEA store call centre. We recommend you read the appliance documentation carefully before contacting us.

## Sommaire

Mesures de sécurité importantes	20	Entretien et nettoyage	31
Consignes de sécurité	26	Que faire si... ?	32
Description de l'appareil	28	Données techniques	33
Utilisation quotidienne	29	Protection de l'environnement	33
Conseils et astuces utiles	31	Garantie IKEA	34

# MESURES DE SÉCURITÉ IMPORTANTES

ⓘ Veuillez lire attentivement ce manuel avant l'installation et l'utilisation du produit pour assurer votre sécurité et un usage correcte. Ce manuel doit accompagner l'appareil même lorsque vous déménagez ou le vendez. Les utilisateurs de cet appareil doivent connaître parfaitement son mode d'emploi et les consignes de sécurité. Lors de l'utilisation d'un appareil électrique, il est indispensable de toujours respecter les précautions de base, y compris celles-ci :

### Consignes de sécurité générales

- Veuillez lire toutes les instructions.
- Ne touchez pas les surfaces chaudes. Utilisez les poignées ou les boutons.
- Pour éviter tout risque de décharge électrique, ne plongez pas le cordon, les fiches, ni le produit complet dans l'eau ou tout autre liquide.
- Une surveillance étroite est nécessaire lorsque tout appareil est utilisé par ou à proximité des enfants.
- Débranchez l'appareil de la prise lorsqu'il n'est pas utilisé et avant de le nettoyer. Laissez-le refroidir avant de remettre ou de retirer des pièces.
- N'utilisez pas un appareil avec un cordon ou une fiche électrique endommagés, ni suivant un dysfonctionnement ou une détérioration quelconque. Veuillez rapporter l'appareil au centre de service agréé le plus proche pour examen, réparation ou réglage.

- L'utilisation d'accessoires non recommandés par le fabricant de l'appareil pourrait entraîner des blessures.
- N'utilisez pas l'appareil à l'extérieur.
- Ne laissez jamais le cordon pendre d'une table ou d'un comptoir ou toucher des surfaces chaudes.
- Ne placez pas l'appareil sur ou près d'un rond de poêle à gaz ou électrique chaud ou dans un four chauffé.
- Branchez toujours la fiche à l'appareil AVANT de brancher le cordon dans la prise murale. Pour le déconnecter, fermez tous les contrôles puis débranchez la fiche de la prise murale.
- N'essayez pas de modifier la fiche de quelque façon que ce soit.
- N'utilisez pas l'appareil à d'autres fins que celles prévues.
- L'appareil doit être destiné à l'usage domestique seulement. N'utilisez pas l'appareil à l'extérieur.
- Ne cuisinez pas sur une table de cuisson brisée — si table de cuisson n'est pas intacte, des solutions de nettoyage et des débordements pourraient pénétrer dans la table de cuisson brisée et créer un risque de décharge électrique.
- Nettoyez la table de cuisson avec prudence — si une éponge ou un chiffon humide est utilisé pour essuyer les déversements sur une surface de cuisson chaude, veillez à ne pas vous brûler avec la vapeur. Certains produits de nettoyage peuvent produire des émanations toxiques si appliqués sur une surface chaude.
- Ne placez pas d'objets métalliques tels que des couteaux, fourchettes, cuillères et couvercles sur le réchaud de table, car ils peuvent devenir chauds.
- Conservez ces instructions.
- Ne laissez pas l'appareil sans surveillance pendant le fonctionnement.
- L'appareil est destiné uniquement à un usage domestique.

- L'appareil est destiné uniquement à un usage intérieur.
- Le cordon d'alimentation doit être remplacé immédiatement par le fabricant, le centre de maintenance agréé, ou encore une personne qualifiée s'il est endommagé.
- Les objets métalliques tels que couteaux, fourchettes, cuillères et couvercles ne doivent pas être placés au-dessus de la surface de la plaque chauffante, car ils risquent de devenir très chauds.
- Il ne faut pas nettoyer l'appareil à l'aide d'un nettoyeur à vapeur.
- Éteignez la plaque chauffante après chaque utilisation à l'aide du dispositif de commande correspondant sans faire confiance au détecteur de la cuvette.
- Cet appareil ne doit pas être contrôlé au moyen d'une minuterie externe ou d'un système de commande à distance séparé.
- Des précautions doivent être prises pour éviter de toucher les éléments chauffants.
- L'appareil ne doit pas être utilisé comme surface de travail ou un espace de rangement.
- Ne placez pas de liquides inflammables, de matériaux hautement inflammables ou des objets susceptibles de fondre (ex. film plastique, plastique, aluminium) sur ou près de l'appareil.
- Soyez prudent lorsque vous branchez d'autres appareils électriques aux prises près de celle de l'appareil. Veillez à ce que les bornes de connexions n'entrent pas en contact ou ne soient pas écrasés par l'appareil ou des ustensiles de cuisson chauds.
- N'essayez pas de réparer vous-même l'appareil pour éviter toutes blessures ou endommager l'appareil. Contactez toujours votre service après-vente local (reportez-vous au chapitre « Service »).

- Veillez à ce que les orifices de ventilation, situés dans l'enceinte de l'appareil ou dans la structure intégrée, ne soient pas obstrués.
- Ne touchez pas le panneau tant que l'indicateur de chaleur résiduelle est illuminé afin d'éviter les risques de brûlure.
- N'introduisez aucun objet dans la table à induction pendant le fonctionnement pour éviter tout choc électrique.
- La température des surfaces accessibles peut être élevée lorsque l'appareil est en fonction.
- Débranchez toujours l'appareil lorsqu'il n'est pas utilisé et avant de le nettoyer.
- Pour éviter tout risque d'électrocution, n'immergez pas l'appareil, le cordon ou la fiche dans l'eau ou tout autre liquide.
- N'utilisez l'appareil que pour l'usage prévu dans son guide d'utilisation. Pour éviter tout risque, n'utilisez l'appareil (ou une composante de l'appareil) que pour l'usage prévu.
- Cet appareil est destiné à être utilisé dans un cadre domestique et dans des contextes similaires tels que :
  - des coins-cuisine du personnel dans des magasins, bureaux et d'autres environnements de travail;
  - dans des maisons de ferme;
  - par des clients dans des hôtels, motels et autres environnements de type résidentiel;
  - dans des gîtes touristiques.

**⚠ Avertissement !** Utilisez uniquement des protège-plaques conçus ou recommandés par le fabricant de l'appareil de cuisson dans le guide d'utilisation en tant que protège-plaques appropriés ou intégrés dans l'appareil. L'utilisation de protège-plaques inappropriés peut provoquer des accidents.

**⚠ Avertissement !** En cas d'apparition de fissures sur la surface, éteignez l'appareil pour éviter tout risque de choc électrique.



La plaque céramique reste chaude après la cuisson. Ne la touchez pas avec les mains nues.

**⚠ Avertissement !** L'appareil et ses composants accessibles deviennent chauds pendant l'utilisation.

**⚠ Avertissement !** L'utilisation sans surveillance de cette plaque de cuisson pour préparer des repas contenant de la graisse ou de l'huile peut être dangereuse et risque de provoquer un incendie. Ne tentez JAMAIS d'éteindre un incendie avec de l'eau, commencez par éteindre l'appareil et étouffez la flamme à l'aide d'un couvercle ou d'une couverture d'extinction.

### **Sécurité des enfants et personnes vulnérables**

- Cet appareil peut être utilisé par les enfants âgés de 8 ans et plus et les personnes aux capacités physiques, sensorielles ou mentales réduites ou ne disposant pas de l'expérience ou de la connaissance nécessaire, s'ils sont sous surveillance ou ont reçu les instructions nécessaires concernant l'utilisation de l'appareil et s'ils en comprennent les dangers.
- Veillez à ce que les enfants ne jouent pas avec l'appareil.
- Les opérations de nettoyage et d'entretien ne doivent pas être effectuées par des enfants sans surveillance.
- Les enfants de moins de 8 ans doivent être tenus à l'écart, sauf s'ils sont surveillés en permanence.



- Ne laissez pas les matériaux d'emballage à la portée des enfants.
- Il faut veiller à ce que les enfants ne touchent pas l'appareil qu'il soit en marche ou à l'arrêt.
- Gardez l'appareil et son cordon d'alimentation hors de la portée des enfants de moins de 8 ans.

**⚠ Avertissement !** Activez le dispositif de sécurité pour enfants pour éviter que les petits enfants et les animaux domestiques ne mettent en marche l'appareil de façon involontaire.

## Consignes de sécurité

### Installation

- Le fabricant décline toute responsabilité en cas de blessures de personnes/ animaux ou de dommages matériels causés par le non-respect des exigences suivantes.

**⚠ Attention !** Lisez les consignes de sécurité avant d'effectuer l'installation.

**⚠ Avertissement !** La procédure d'installation doit respecter la législation, la réglementation, les directives et les normes en vigueur dans le pays d'utilisation (règles concernant la sécurité électrique, recyclage conforme à la réglementation, etc.) !

**⚠ Avertissement !** Risque de blessure dû au courant électrique.

- a) La borne de raccordement de secteur est sous tension.
- b) Isoler la borne de raccordement de secteur.
- c) Des connexions desserrées ou inappropriées peuvent être à l'origine d'une surchauffe de la borne.
- d) Installez correctement les jonctions par serrage.

**⚠ Avertissement !** Laissez un espace libre d'au moins 10 cm autour de l'appareil.

- Évitez d'installer l'appareil près d'une porte ou sous une fenêtre, car l'ouverture de celles-ci risque de renverser les ustensiles de cuisson chauds lors de l'ouverture soit de la porte ou de la fenêtre.
- Placez l'appareil seulement sur une surface plane et solide.
- Ne placez pas l'appareil sur un tapis, un tissu ou du papier lorsqu'il est en état de marche.
- N'utilisez pas l'appareil près de l'eau, du feu ou dans un endroit humide.
- Cet appareil n'est destiné qu'à un usage intérieur, ne l'utilisez pas à l'extérieur ou sous la pluie.
- Vérifiez que l'appareil n'a pas été endommagé pendant le transport. Ne branchez jamais un appareil endommagé.

- N'installez pas l'appareil s'il a été endommagé pendant le transport.
- N'utilisez pas de rallonges pour brancher la table de cuisson et ne faites pas passer le cordon par-dessus la surface de cuisson.
- Utilisez seulement la prise d'alimentation principale.
- Ne changez aucunement les caractéristiques ou ne modifiez pas le produit. Vous risquez de vous blesser et d'endommager l'appareil.

**⚠ Avertissement !** Respectez strictement les consignes relatives aux branchements électriques.

### Branchement électrique

- Avant de brancher l'appareil, assurez-vous que la tension nominale indiquée sur la plaque signalétique correspond à la tension locale. Veuillez aussi vérifier la puissance nominale de l'appareil et assurez-vous que les sections des fils sont appropriées à la puissance nominale de l'appareil (reportez-vous au chapitre « Caractéristiques techniques »).
- La plaque signalétique se trouve en bas de la table de cuisson.

### Avant l'utilisation :

Veuillez respecter les consignes suivantes avant l'utilisation.

- Utilisez une prise d'alimentation de secteur standard, et l'inspecter régulièrement pour éviter tout dommage.
- Inspectez régulièrement le cordon et la fiche d'alimentation. N'utilisez pas l'appareil si le cordon ou la fiche d'alimentation est endommagée. Ne débranchez pas la fiche avec des mains mouillées.
- Veuillez mettre en marche l'appareil pendant 10 minutes pour stabiliser les composants électroniques, si l'appareil n'a pas été utilisé pendant une longue période. Vous pouvez ensuite utiliser l'appareil.
- Avant la première utilisation, retirez de l'appareil tous les matériaux d'emballages (étiquettes, films, etc.).

**⚠ Avertissement !** Risque d'incendie !  
Les graisses et les huiles surchauffées peuvent s'enflammer très rapidement.

**⚠ Avertissement !** Les personnes ayant un stimulateur cardiaque doivent garder la partie supérieure de leur corps à au moins 30 cm des zones de cuisson à induction en fonction.

**⚠ Avertissement !** N'utilisez pas l'appareil avec des mains mouillées et essuyez tout liquide et garder la surface du panneau sèche. Une présence importante d'eau sur la surface du bandeau de commande risque de rendre les touches inutilisables.

### **Pendant et après l'utilisation :**

Veillez respecter les consignes suivantes pour éviter tout allumage et accident.

- Ne placez aucun des objets suivants sur le panneau lorsque l'appareil est en fonction.
  - a) Acier inoxydable
  - b) Fer
  - c) Fonte
  - d) Aluminium
  - e) Couvercles en émail
  - f) Couteaux, fourchettes et cuillères
  - g) Assiettes en fer, inox, fonte ou en aluminium
  - h) Ustensiles de cuisson vides
- Ne portez ou ne déplacez pas l'appareil avec des ustensiles de cuisson sur la surface pendant le chauffage.
- Veillez assurer de bonnes conditions de ventilation pendant le chauffage.
- N'insérez aucun fil ou objet métallique dans l'entrée ou la sortie d'air de ventilation de l'appareil.
- Précautions à prendre relatives au panneau
  - a) Ne faites tomber aucun objet lourd sur le panneau.
  - b) Ne versez pas de l'eau, de l'acide ou tout autre liquide sur le panneau.
  - c) Ne faites pas brûler aucun matériau avec du feu sur le panneau.
  - d) Ne placez aucun ustensile de cuisson chaud sur le panneau lorsque l'appareil n'est pas utilisé.
  - e) Si la surface (panneau) est fissurée, éteignez immédiatement l'appareil pour éviter un choc électrique, et

adressez-vous au magasin IKEA le plus proche.

- f) Certains ustensiles de cuisson peuvent générer un bruit pendant l'utilisation. Il suffit parfois de déplacer légèrement l'ustensile de cuisson pour atténuer ou éliminer le bruit. S'il n'est pas possible de le faire, veuillez utiliser un autre ustensile de cuisson.

- Ne touchez pas l'appareil lorsqu'il est chaud. L'appareil est toujours chaud tant que l'indicateur de chaleur résiduelle est affiché, même si l'alimentation est coupée.
- Ne débranchez pas l'appareil en tirant sur le câble.
- Éteignez l'appareil et laissez-le refroidir avant de le débrancher.
- Débranchez le cordon d'alimentation lorsque l'appareil n'est pas utilisé pendant une longue période.
- Retirez les ustensiles de cuisson de l'appareil après utilisation.

### **Pour éviter d'endommager l'appareil**

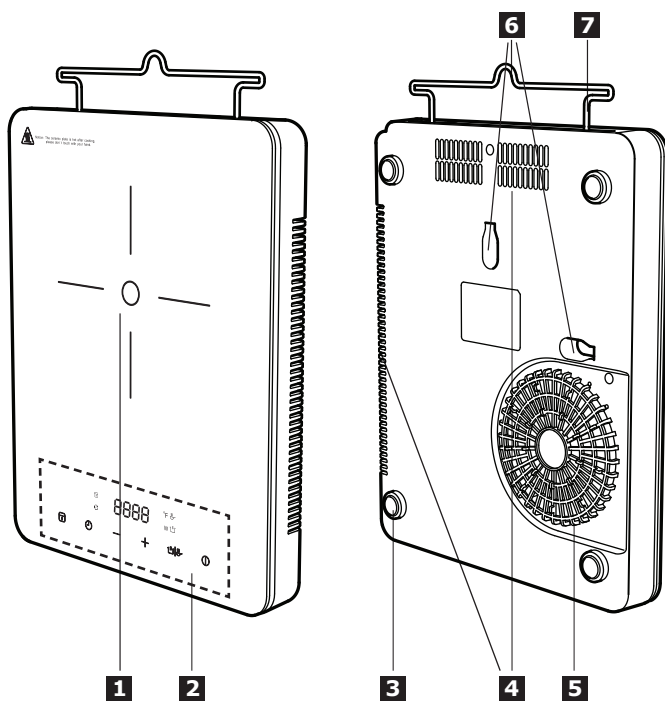
- La vitrocéramique peut être endommagée par des objets qui tombent dessus, ou si elle est heurtée par un ustensile de cuisson.
- Les ustensiles de cuisson en fonte, en fonte d'aluminium ou avec des fonds endommagés peuvent laisser des égratignures sur la vitrocéramique s'ils glissent sur la surface.
- La vitrocéramique peut également être endommagée si elle tombe sur le plancher.
- Pour éviter d'endommager les ustensiles de cuisson et la vitrocéramique, ne laissez pas des casseroles et poêles chauffer à vide.
- Ne mettez pas un ustensile de cuisson vide sur une zone de cuisson allumée et n'allumez pas une zone de cuisson sans ustensile de cuisson dessus.
- Ne couvrez aucune partie de l'appareil avec du papier d'aluminium. Ne placez jamais d'objets en plastique ou tout autre matériau susceptible de fondre dans ou sur l'appareil.

**⚠ Avertissement !** Laissez l'appareil branché après utilisation jusqu'à ce que le ventilateur s'arrête et le témoin de chaleur s'éteigne.

### Informations sur l'acrylamide

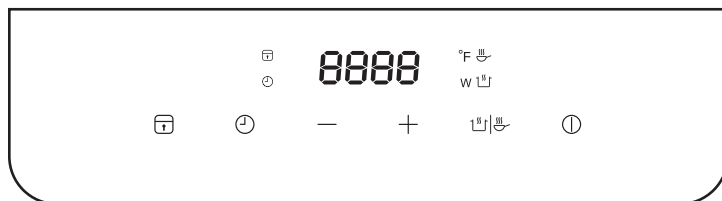
**Important !** Faire brunir les aliments de manière intensive, en particulier les produits contenant de l'amidon, peut nuire à la santé à cause de l'acrylamide, selon les connaissances scientifiques les plus récentes. C'est pourquoi nous vous recommandons de faire cuire les aliments à basse température et de ne pas trop les faire brunir.

## Description de l'appareil



- 1** Zone de chauffage  
Zone de cuisson 175 mm, 1800 W
- 2** Panneau de commande
- 3** Pieds en caoutchouc

- 4** Sortie d'air
- 5** Entrée d'air
- 6** Crochet
- 7** Poignée/enrouleur de cordon



### Disposition des touches du panneau de commande

1. pour activer/désactiver le dispositif de Verrouillage/Sécurité pour enfants.
2. pour activer la minuterie. Le réglage de la minuterie affiche les heures et minutes de « 00:00 » à « 24:00 ».
3. pour augmenter le réglage de Chauffage/Cuisson de la minuterie, ou pour diminuer le réglage de Chauffage/Cuisson de la minuterie.

4. Pour choisir les fonctions de cuisson de la fonction Chauffage ou de Cuisson.
5. pour Allumer/Éteindre la table de cuisson.

### Touches tactiles et éléments affichés

La table de cuisson est commandée à l'aide de touches tactiles. La sélection d'une fonction est confirmée par un élément affiché et un signal acoustique (bip).

## Utilisation quotidienne



### Branchement à la prise

1. Dès que l'appareil est branché au secteur, le verrou de sécurité pour enfants est activé. Maintenez appuyée la touche de verrou de sécurité pour enfant pendant 3 secondes pour le désactiver.

### Allumer/ Éteindre

1. Appuyez sur la touche Allumer/Éteindre, l'écran affiche « ---- » comme en mode veille. Si aucun niveau de cuisson n'est sélectionné au bout d'une minute, la table de cuisson s'éteint automatiquement sans avoir à appuyer sur la touche Allumer/Éteindre.
2. Appuyez sur la touche Allumer/Éteindre pour éteindre la table de cuisson.

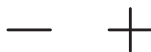


### Chauffage et cuisson

1. Sélectionnez la fonction de chauffage ou de cuisson en appuyant sur Chauffage/

Cuisson ; la fonction sélectionnée s'allume.

2. Appuyez 1 fois pour activer la fonction de chauffage. Chauffage est affiché lorsque le niveau de puissance est entre 60 W et 1 800 W.
3. Appuyez 2 fois pour activer la fonction de cuisson. Cuisson est affichée lorsque la température est comprise entre 140 et 450 °C.



### Réglage de la minuterie de Chauffage/ Cuisson

1. Appuyez sur ou pour régler le niveau ou le minuteur de Chauffage/ Cuisson pendant le fonctionnement.
2. Appuyez sur pour diminuer le niveau de Chauffage/Cuisson.
3. Appuyez sur pour augmenter le niveau de Chauffage/Cuisson.



### Dispositif de verrouillage/sécurité enfant

Lorsque les zones de cuisson sont allumées, vous pouvez verrouiller le panneau de commande. Cela permet d'éviter toute modification accidentelle du niveau de cuisson. La table de cuisson peut toujours être éteinte à l'aide de la touche Allumer/Éteindre.

#### Activation de la fonction verrouillage :

1. Choisissez un niveau de cuisson.
2. Appuyez sur la touche Verrouillage pour activer la fonction de verrouillage. La touche Verrouillage est activée lorsqu'elle est allumée et un bip est émis. Si la touche de minuterie est active, elle reste allumée.

#### Désactivation de la fonction de verrouillage :

1. Maintenez la touche de verrouillage appuyée pendant 3 secondes pour désactiver la fonction verrouillage. La touche de verrouillage est désactivée lorsqu'elle est éteinte et un bip est émis.
2. Le niveau de cuisson retourne au niveau précédent.

Vous pouvez également maintenir le panneau de commande verrouillé lorsque la table de cuisson n'est pas en fonction. Cette fonction prévient toute utilisation accidentelle de l'appareil.

### Activation du dispositif de sécurité pour enfants

1. Allumez l'appareil à l'aide de la touche Allumer/Éteindre. Ne choisissez aucun niveau de cuisson.
2. Appuyez sur la touche Verrouillage pour activer le dispositif de sécurité. La touche Verrouillage est activée lorsqu'elle est allumée et un bip est émis.
3. Éteignez l'appareil à l'aide de la touche Allumer/Éteindre.

### Désactivation du dispositif de sécurité pour enfants

1. Maintenez appuyée la touche Verrouillage pendant 3 secondes pour désactiver la fonction de sécurité. La touche de verrouillage est désactivée lorsqu'elle est éteinte et un bip est émis.



### Minuterie

1. La fonction de minuterie permet de régler le temps de cuisson avec une durée maximale de 24 heures. Appuyez sur la touche Minuterie pour activer la minuterie, « 00:00 » sera affiché.
2. Utilisez les touches +/− pour régler le temps de la minuterie. Appuyez sur + pour régler les minutes, appuyez sur − pour régler les heures.
3. Si au bout de 5 secondes aucune manipulation n'a été effectuée, la fonction de la minuterie sera annulée.
4. En mode minuterie, le niveau et le temps de cuisson seront alternativement affichés. La minuterie peut être désactivée en appuyant sur la touche Minuterie ou sur Allumer/Éteindre.
5. Lorsque la minuterie est désactivée, la table de cuisson émet 5 bips et s'éteint automatiquement.

### Arrêt automatique

La table de cuisson s'éteint automatiquement lorsque :

- Toutes les zones de cuisson sont éteintes.
- Vous ne choisissez pas un niveau de cuisson une minute après la mise en marche de la table de cuisson.
- Vous n'arrêtez pas une zone de cuisson ou vous ne changez pas le niveau de cuisson pendant 2 heures, ou en cas de surchauffe (ex. ustensile de cuisson chauffé à vide).

## Conseils et astuces utiles

- ⓘ Un ustensile de cuisson est considéré approprié à la cuisson par induction s'il est recommandé par le fabricant.
- ⓘ Lorsqu'une zone de cuisson est allumée, elle peut émettre un bref vrombissement. Ceci est une caractéristique des zones de cuisson vitrocéramiques et n'a aucune incidence ni sur le fonctionnement ni sur la durée de vie de l'appareil.

### Diamètres des ustensiles de cuisson

Les zones de cuisson à induction s'adaptent automatiquement au diamètre du fond de l'ustensile de cuisson. Mais, elles doivent posséder un diamètre minimal en fonction de la taille de la zone de cuisson.

Zone de cuisson	Diamètre minimal du fond de l'ustensile de cuisson [mm]
Zone de cuisson moyenne arrière	120

### Économie d'énergie

- Si possible, recouvrez toujours les ustensiles de cuisson avec leurs couvercles.
- Placez l'ustensile de cuisson sur la zone de cuisson avant de l'allumer.
- Le fond de l'ustensile de cuisson doit être aussi plat et épais que possible.

## Entretien et nettoyage

- ⚠ **Avvertissement !** Éteignez l'appareil et le laisser refroidir avant de le débrancher.
- ⚠ **Avvertissement !** Débranchez toujours l'appareil de la prise de secteur avant de le nettoyer.
- ⚠ **Avvertissement !** Pour des raisons de sécurité, n'utilisez jamais d'appareil à vapeur ou à haute pression pour nettoyer l'appareil.
- ⚠ **Avvertissement !** L'appareil sera endommagé par des objets pointus et des produits de nettoyage abrasifs. Après chaque utilisation, nettoyez l'appareil et éliminez les résidus avec de l'eau et du liquide à vaisselle. Enlevez également le résidu des produits de nettoyage !
- ⓘ Des égratignures ou des taches foncées impossible à enlever sur la vitrocéramique n'affectent pas le fonctionnement de l'appareil.

### Nettoyage des résidus et taches tenaces :

- Les résidus d'alimentaires contenant du sucre, de matières plastiques, de papier d'aluminium doivent être éliminés immédiatement ; le meilleur outil pour le nettoyage de la surface du verre est un racloir (non inclus avec l'appareil). Pour enlever les résidus, tenez le racloir incliné par rapport à la surface vitrocéramique en faisant glisser la lame. Essayez l'appareil avec un chiffon humide avec un peu de liquide à vaisselle. Séchez ensuite l'appareil avec un chiffon propre.
- Pour enlever les traînées de calcaire ou d'eau, les éclaboussures de graisse et les décolorations des parties métalliques brillantes, attendez que l'appareil ait refroidi et utilisez un nettoyant pour vitrocéramique et un chiffon doux. Pour le nettoyage, n'utilisez pas de grattoir ou autre outil tranchant.

## Que faire si... ?

Problème	Cause possible	Solution
L'appareil ne marche pas.	Panne de courant ou court-circuit dans votre source d'alimentation domestique.	
	La connexion de l'alimentation à la prise ne fonctionne pas correctement.	Oubliez le branchement de l'alimentation à la plaque de cuisson pour une connexion adéquate.
	Plus de 10 secondes se sont écoulées après la mise en marche de l'appareil.	Remettez l'appareil en marche.
	Le dispositif de sécurité pour enfants est activé.	Désactivez le dispositif de sécurité pour enfants. (Reportez-vous à la section « Dispositif de sécurité pour enfants »).
	Plusieurs capteurs tactiles ont été touchés en même temps.	Ne touchez qu'une touche tactile à la fois.
L'appareil cesse de fonctionner. Indication d'erreur : <b>E 1</b>	L'ustensile de cuisson n'est pas approprié à la cuisson par induction.	Utilisez un ustensile de cuisson approprié à la cuisson par induction.
	Aucun ustensile de cuisson sur la zone de cuisson.	Placez l'ustensile de cuisson sur la zone de cuisson.
L'appareil cesse de fonctionner. Indication d'erreur : <b>E 2</b>	L'ustensile de cuisson est vide (ébullition à sec) ou la température de cuisson est trop élevée.	Éteignez l'appareil et le rallumez 5 minutes plus tard. Si E2 persiste, contactez le magasin IKEA le plus proche.
	L'entrée et la sortie d'air sont obstruées.	
	La température ambiante est trop élevée.	
L'appareil cesse de fonctionner. Indication d'erreur : <b>E 3</b>	L'alimentation électrique principale est supérieure à 150 Vca.	Utilisez une alimentation électrique appropriée au produit.
L'appareil cesse de fonctionner. Indication d'erreur : <b>E 4</b>	L'alimentation électrique est inférieure à 90 V.	Utilisez une alimentation électrique appropriée au produit.
L'appareil cesse de fonctionner. Indication d'erreur : <b>E 5</b>	Le capteur de température de l'appareil ne fonctionne pas.	Contactez le magasin IKEA le plus proche.
L'appareil cesse de fonctionner. Indication d'erreur : <b>E 6</b>	L'ustensile de cuisson est vide (ébullition à sec) ou la température de cuisson est trop élevée.	Laissez l'appareil refroidir ; pour la friture/sauté, il vaut mieux utiliser la fonction de cuisson que la fonction de chauffage.

En cas de problèmes, essayez d'abord de trouver vous-même une solution au problème. Si vous n'arrivez pas à trouver une solution au problème, contactez le magasin IKEA le plus proche.

**i** Si le problème résulte d'une erreur de manipulation de la part de l'utilisateur, l'intervention du revendeur peut être facturée, même pendant la période de garantie.




## Données techniques


### Caractéristiques techniques

Valeurs nominales	1800 W
Tension nominale	120 V~
Fréquence nominale	60 Hz
Profondeur	385 mm
Largeur	300 mm
Hauteur	54 mm
Poids net	3 kg


## Protection de l'environnement

Le symbole  sur le produit ou son emballage indique que ce produit ne peut être traité comme déchet ménager. Il doit être remis à un point de collecte approprié pour le recyclage des équipements électriques et électroniques. En vous assurant que ce produit est disposé correctement, vous aidez à éviter les conséquences potentiellement néfastes pour l'environnement et la santé publique, qui pourraient sinon être causées par une manipulation des ordures inadaptée à ce produit. Pour plus d'informations sur le recyclage de ce produit, veuillez contacter votre mairie, le service des ordures ménagères ou le magasin où vous avez acheté le produit.

### Matériaux d'emballage

Les matériaux marqués par ce symbole  sont recyclables. Déposez les matériaux d'emballage dans un conteneur de collecte approprié pour le recyclage.

### Avant de jeter l'appareil

 **Avertissement !** Effectuer ces étapes avant de jeter l'appareil :

- Retirez la fiche de la prise de secteur.
- Coupez le cordon d'alimentation et le jeter.

## Garantie IKEA

### Quelle est la durée de validité de la garantie IKEA ?

Cette garantie est valable cinq (5) ans à compter de la date d'achat de votre appareil chez IKEA, à moins qu'il ne s'agisse d'un appareil LAGAN ou TILLREDA, appareil qui possède une garantie de deux (2) ans. La preuve d'achat originale est requise. Les réparations effectuées sous garantie ne prolongent pas la période de garantie de l'appareil.

### Qui effectuera la réparation ?

Contactez le magasin IKEA le plus proche.

### Que couvre la garantie ?

La garantie couvre les défauts de l'appareil, dus à des vices de matière ou de fabrication, à partir de la date d'achat chez IKEA. Cette garantie ne s'applique que dans le cas d'un usage domestique. Les exceptions sont spécifiées à la rubrique « Qu'est-ce qui n'est pas couvert par cette garantie ? » Pendant la période de garantie, les coûts engagés pour remédier au problème, par exemple les réparations, les pièces, la main-d'œuvre et les déplacements sont pris en charge à condition que l'appareil soit accessible à des fins de réparation sans dépenses particulières. Les pièces remplacées deviendront la propriété d'IKEA.

### Que fera IKEA pour régler le problème ?

IKEA examine le produit et décide, à sa seule discrétion, si le défaut est couvert par la garantie. Si tel est le cas, IKEA procède alors, à sa seule discrétion, à la réparation du produit défectueux ou à son remplacement par le même produit ou par un produit équivalent.

### Qu'est-ce qui n'est pas couvert par cette garantie ?

- L'usure normale.
- Les dommages occasionnés sciemment ou par négligence, les dommages résultant du non-respect des instructions d'utilisation, d'une installation inadéquate ou d'une alimentation électrique inadéquate, les dommages causés par des réactions chimiques ou électrochimiques, la rouille, la corrosion ou un dégât des eaux, y compris, notamment, les dommages causés par un excès de calcaire dans l'eau, les dommages causés par des conditions environnementales anormales.
- Les consommables, y compris les ampoules et les piles.
- Les éléments non fonctionnels et décoratifs qui n'affectent pas l'usage normal de l'appareil, y compris les rayures et les éventuelles différences de couleur.
- Les dommages accidentels causés par des corps étrangers ou des substances, et le nettoyage et le débouchage des filtres, systèmes de vidange ou compartiments à savon.
- Les dommages occasionnés aux éléments suivants : vitrocéramique, accessoires, paniers à vaisselle et à couverts, tuyaux d'alimentation et de vidange, joints, ampoules et diffuseurs, écrans, boutons, revêtements et parties de revêtements, sauf s'il est prouvé que ces dommages sont dus à des vices de fabrication.
- Les réparations qui ne sont pas effectuées par nos réparateurs désignés et/ou un partenaire contractuel autorisé ou en cas d'utilisation antérieure de pièces non d'origine.
- Les réparations consécutives à une installation inadéquate ou non conforme aux spécifications.
- L'utilisation de l'appareil dans un environnement non domestique, (p. ex. professionnel).
- Les dommages occasionnés par ou durant le transport. IKEA décline toute responsabilité en cas de dommages pendant le transport si un client transporte personnellement le produit jusqu'à son domicile ou une autre adresse. Si IKEA livre le produit à l'adresse de livraison indiquée par le client, tout dommage éventuel se produisant en cours de livraison sera couvert par IKEA.
- Les frais liés à l'installation initiale de l'appareil IKEA. Si un prestataire de service IKEA ou un partenaire contractuel autorisé répare ou remplace l'appareil conformément à la présente garantie, le prestataire de services ou le partenaire agréé autorisé réinstallera l'appareil réparé ou installera l'appareil de remplacement, le cas échéant.

**Comment s'applique la loi nationale**

La garantie IKEA vous donne des droits légaux spécifiques, qui couvrent ou dépassent toutes les exigences légales locales. Cependant, ces conditions ne limitent en aucun cas les droits des consommateurs décrits dans la législation locale.

**Zone de validité**

Cette garantie IKEA s'applique uniquement aux produits achetés et installés dans les États-Unis d'Amérique, le Canada et la République dominicaine.

L'obligation de réparation dans le cadre de la garantie n'est effective que si l'appareil est conforme et installé conformément aux :

- spécifications techniques du pays dans lequel la demande d'intervention sous garantie est introduite ;
- instructions de montage et aux informations relatives aux consignes de sécurité figurant dans le manuel d'utilisation.

**SERVICE APRÈS-VENTE pour les appareils IKEA**

N'hésitez pas à contacter IKEA pour :

- Faire une demande d'intervention sous garantie ;
- Demander des précisions au sujet des fonctions des appareils IKEA.

Afin de vous garantir la meilleure assistance possible, nous vous prions de lire attentivement les instructions d'assemblage et le mode d'emploi avant de nous contacter.

**Comment nous joindre en cas de besoin**

Le centre de service après-vente IKEA vous aide à résoudre des problèmes élémentaires par voie téléphonique, au moment de la demande d'appel de service. Reportez-vous au catalogue IKEA ou visitez [www.ikea.com](http://www.ikea.com) pour trouver le numéro de téléphone et les heures d'ouverture de votre magasin local.

**Afin de pouvoir vous assurer un service plus rapide, il faut toujours nous fournir le code de l'article IKEA (nombre à**

**8 chiffres) se trouvant sur la plaque signalétique de votre appareil.**

**CONSERVEZ VOTRE PREUVE D'ACHAT !**

La preuve de votre achat est nécessaire pour l'application de la garantie. Le nom et le numéro d'article (code à 8 chiffres) IKEA de chaque appareil acheté figurent également sur la preuve d'achat.

**Besoin d'une assistance supplémentaire ?**

Pour toute autre question non relative au service après-vente de vos appareils, contactez le centre d'appel de votre magasin IKEA. Nous vous recommandons de lire attentivement toute la documentation fournie avec l'appareil avant de nous contacter.

## Índice

Medidas importantes de seguridad	36	Mantenimiento y limpieza	46
Instrucciones de seguridad	41	Qué hacer si...	47
Descripción del aparato	43	Información técnica	48
Uso diario	44	Cuestiones medioambientales	48
Consejos útiles	46	GARANTÍA IKEA	49

# MEDIDAS IMPORTANTES DE SEGURIDAD

ⓘ Para su propia seguridad y el funcionamiento correcto del aparato, lea atentamente este manual antes de su instalación y uso. Mantenga estas instrucciones junto al aparato, incluso en el caso de que lo cambie de lugar o lo venda. Usted debe conocer completamente las características de operación y seguridad del aparato. Al utilizar electrodomésticos, siempre se deben tomar medidas básicas de seguridad, incluyendo las siguientes:

## Seguridad general

- Lea todas las instrucciones.
- No toque superficies calientes. Use agarraderas o manijas.
- Para evitar descargas eléctricas, no sumerja en agua ni otros líquidos los cables, enchufes ni el producto mismo.
- Tenga cuidado especial al utilizar un electrodoméstico en presencia o cercanía de niños.
- Desenchufe el electrodoméstico si no lo va a utilizar y antes de limpiarlo. Deje enfriar el aparato antes de colocar o retirar sus partes.
- No utilice un aparato cuyo cable o enchufe estén dañados, o si el aparato no funciona bien o si tiene cualquier tipo de daño. Lleve el electrodoméstico al

servicio autorizado más cercano para que lo revisen, reparen o ajusten.

- El uso de accesorios no recomendados por el fabricante del aparato puede causar daños personales.
- No use el aparato en exteriores.
- No deje que el cable cuelgue por el borde de una mesa o mesón ni que entre en contacto con superficies calientes.
- No coloque el aparato sobre o cerca de un quemador eléctrico o de gas, ni en un horno caliente.
- Siempre enchufe primero el cable al electrodoméstico y recién después al tomacorriente. Para desenchufar el aparato, primero apáguelo y recién después desenchúfelo del tomacorriente.
- No intente modificar el enchufe de ninguna manera.
- No utilice el aparato para otro fin que no sea aquel para el que ha sido fabricado.
- El aparato es sólo para uso doméstico. No use el aparato en exteriores.
- No cocine sobre quemadores con grietas o rotos. Los líquidos limpiadores o cualquier derrame puede penetrar por la grieta y ocasionar una descarga eléctrica.
- Limpie el quemador con precaución. Si usa un paño o esponja humedecidos para limpiar manchas, evite el vapor ocasionado por el contacto con el área caliente, ya que algunos limpiadores podrían desprender humos tóxicos.
- No coloque objetos metálicos como cuchillos, tenedores, cucharas o tapas de ollas sobre los quemadores ya que pueden calentarse.
- Guarde estas Instrucciones.
- No deje el aparato desatendido mientras esté operando.
- El aparato está diseñado exclusivamente para su uso doméstico.

- El aparato está diseñado exclusivamente para su uso en interiores.
- Para evitar riesgos, si el cable de alimentación está dañado, sólo el fabricante, el servicio técnico autorizado o personal calificado puede remplazarlo.
- No coloque objetos metálicos como como cuchillos, tenedores, cucharas o tapas en la superficie de la placa, ya que pueden calentarse.
- No use un limpiador a vapor para limpiar el aparato.
- Después de su uso, apague la placa desde el panel de control y no confíe en el detector de recipientes.
- Este aparato no está diseñado para operar con un temporizador externo o un sistema independiente de control remoto.
- Hay que tener cuidado de no tocar los elementos calentadores.
- No use el aparato como superficie de trabajo o de almacenamiento.
- No coloque sobre el aparato o en sus proximidades líquidos inflamables, materiales altamente inflamables u objetos que se puedan fundir (por ejemplo film plástico, plástico o aluminio).
- Tenga cuidado cuando conecte electrodomésticos a enchufes cercanos. Evite que los cables de conexión entren en contacto con el aparato o con los recipientes de cocción o se queden atrapados debajo de ellos.
- En caso de necesitar alguna reparación recurra sólo al servicio post-venta local (consulte el capítulo de servicio técnico). No realice usted mismo las reparaciones para prevenir lesiones y daños en el aparato.
- Mantenga despejadas las aberturas de ventilación tanto en la carcasa del aparato como en la estructura integrada.
- Para evitar lesiones, no toque el panel cuando el indicador de calor residual esté encendido.

- No introduzca ningún objeto en la placa durante su funcionamiento para prevenir choques eléctricos.
- La temperatura de las superficies accesibles puede ser elevada cuando el aparato esté operando.
- Para limpiarlo, primero desenchufe el aparato del tomacorriente.
- Para evitar una descarga eléctrica, no sumerja el aparato, el cable o la clavija en agua u otros líquidos.
- Use este aparato sólo para los propósitos descritos en el manual de uso. Evite riesgos. No use el aparato ni parte alguna del mismo con propósitos distintos a los especificados.
- Este aparato está diseñado para uso doméstico y similares, como:
  - áreas de cocina para el personal en tiendas, oficinas y otros ambientes de trabajo;
  - casas de campo;
  - por parte de clientes en hoteles, moteles y otros establecimientos hoteleros;
  - alojamientos tipo cama y desayuno.

**⚠ iAdvertencia!** Utilice únicamente protectores de placa diseñados o recomendados por el fabricante del aparato en las instrucciones de uso o en protectores de placa incorporados en el aparato. El uso de protectores inadecuados puede provocar accidentes.

**⚠ iAdvertencia!** Si la superficie está agrietada apague el aparato para evitar la posibilidad de choques eléctricos.



El plato de cerámica quedará caliente después de su uso. No lo toque con las manos.

**⚠ iAdvertencia!** El aparato y sus partes accesibles se calientan durante su uso.

**⚠ iAdvertencia!** No deje comidas que contengan grasa o aceite sobre la placa pues pueden resultar peligrosas y comenzar a arder. NUNCA intente apagar un fuego con agua; debe apagar el aparato y cubrir el fuego, por ejemplo, con una tapa o con una manta ignífuga.

### **Seguridad de niños y personas vulnerables**

- Este aparato puede ser utilizado por niños mayores de 8 años y por personas cuyas capacidades físicas, sensoriales o mentales estén disminuidas o que carezcan de la experiencia y conocimientos suficientes para manejarlo, siempre que cuenten con supervisión o se les instruya en el uso seguro del aparato y comprendan los riesgos que acarrea.
- No permita que los niños jueguen con el aparato.
- Los niños no deben realizar la limpieza y el mantenimiento del aparato sin supervisión.
- Mantenga alejados a los niños menores de 8 años, a menos que estén supervisados continuamente.
- Mantenga todos los materiales de embalaje fuera del alcance de los niños.
- Mantenga a los niños alejados del aparato cuando esté operando y cuando esté apagado.
- Mantenga el aparato y su cable lejos del alcance de niños menores de 8 años.

**⚠ iAdvertencia!** Active el seguro para niños para evitar que los niños pequeños y las mascotas pongan en marcha involuntariamente el aparato.



## Instrucciones de seguridad

### Instalación

- El fabricante no se hará responsable de las lesiones a personas o mascotas o de los daños a la propiedad causados por el incumplimiento de los siguientes requisitos.

**⚠ iPrecaución!** Consulte la información de seguridad para realizar la instalación.

**⚠ iAdvertencia!** La instalación debe realizarse conforme a las leyes, ordenanzas, directivas y normativas (normas y regulaciones de seguridad eléctrica, reciclaje conforme a la normativa, etc.) en vigor en el país de uso!

**⚠ iAdvertencia!** Riesgo de lesiones por choque eléctrico.

- a) El terminal de la red eléctrica tiene corriente.
- b) Deje el terminal de la red eléctrica sin voltaje.
- c) Una conexión floja o inapropiada entre la clavija y el tomacorriente provocar el sobrecalentamiento del terminal.
- d) Instale correctamente las conexiones de sujeción.

**⚠ iAdvertencia!** Despeje un espacio de 10 cm alrededor del aparato.

- Evite instalar el aparato cerca de puertas y debajo de ventanas, ya que al abrirse pueden golpear los recipientes y provocar su caída de la placa.
- Coloque el aparato ÚNICAMENTE sobre una superficie plana y sólida.
- No coloque el aparato sobre alfombras, material textil o papel mientras esté funcionando.
- No use el aparato cerca de agua, fuego o áreas húmedas.
- Este aparato está diseñado para usarse sólo en interiores y no así a la intemperie ni bajo la lluvia.
- Asegúrese de que el aparato no haya sufrido daños durante el transporte. No conecte un aparato dañado.
- No instale el aparato si ha sufrido daños durante el transporte.

- No conecte la placa mediante cables de extensión y evite que el cable atraviese áreas de trabajo.
- Use solamente el tomacorriente principal.
- No cambie las especificaciones ni modifique este producto. Riesgo de lesiones y daños en el aparato.

**⚠ iAdvertencia!** Siga cuidadosamente las instrucciones para realizar conexiones eléctricas.

### Conexión eléctrica

- Antes de realizar la conexión, compruebe que el voltaje nominal especificado en la plaqueta de características se corresponde al voltaje de alimentación disponible. Compruebe también la potencia nominal del aparato y asegúrese de que el cable tenga las características necesarias para soportar dicha potencia (consulte el capítulo de datos técnicos).
- La plaqueta de características está localizada en la parte inferior de la cubierta de la placa.

### Antes de usar:

Siga las siguientes instrucciones antes de utilizar el aparato.

- Utilice un tomacorriente normalizado para la alimentación eléctrica y compruébelo regularmente para prevenir daños.
- Compruebe el cable de alimentación y la conexión. No utilice el aparato si el cable de alimentación o la conexión están dañados. No tire de la clavija con las manos húmedas.
- Si el aparato no se ha utilizado durante un periodo prolongado de tiempo, enciéndalo durante 10 minutos antes de utilizarlo para estabilizar los componentes electrónicos. Después de ese tiempo puede utilizarlo.
- Retire todos los embalajes, adhesivos y plásticos antes de utilizarlo por primera vez.

**⚠ iAdvertencia!** ¡Peligro de incendio! Las grasas y los aceites sobrecalentados pueden arder con mucha rapidez.

**⚠ iAdvertencia!** Los usuarios que utilicen marcapasos deben mantener la parte superior de su cuerpo a una distancia mínima de 30 cm de las zonas de inducción que estén encendidas.

**⚠ iAdvertencia!** No maneje el aparato con las manos húmedas y mantenga seca la superficie del panel de control. Mucha agua sobre los botones de control los inutilizará.

**Durante y después de su uso:**

Siga las siguientes instrucciones para prevenir ignición y accidentes.

- No coloque ninguno de los siguientes objetos sobre el panel mientras el aparato esté funcionando.
  - a) Acero inoxidable
  - b) Hierro
  - c) Hierro fundido
  - d) Aluminio
  - e) Tapaderas y objetos esmaltados
  - f) Cuchillo, tenedor o cuchara
  - g) Vajilla de hierro, acero inoxidable, hierro fundido o aluminio
  - h) Ollas o sartenes vacías
- No transporte o mueva el aparato con recipientes de cocción encima durante el calentamiento.
- Mantenga alrededor un espacio suficiente para que haya ventilación durante el calentamiento.
- No introduzca cables u objetos de metal en la entrada / salida de ventilación del aparato.
- Cuidado del panel
  - a) No deje caer objetos pesados sobre el panel.
  - b) No vierta agua, ácido o cualquier otro líquido sobre el panel.
  - c) No prenda fuego sobre el panel.
  - d) No coloque ningún recipiente sobre el aparato cuando no se esté usando.
  - e) Si la superficie (panel) está agrietada, apague inmediatamente el aparato para evitar choques eléctricos y devuélvalo a la tienda IKEA más próxima.
  - f) Algunos recipientes para cocinar pueden generar ruido durante su uso. Mueva ligeramente el recipiente y el ruido disminuirá o desaparecerá. Si no lo hace, cambie de recipiente.

- No toque el aparato cuando esté caliente. El aparato permanecerá caliente hasta que el indicador térmico se apague, incluso si el aparato está apagado.
- No desenchufe el aparato tirando del cable.
- Apague el aparato y deje que se enfríe antes de desenchufarlo.
- Desenchufe el cable de alimentación cuando no vaya a usar el aparato por largo tiempo.
- Mantenga los recipientes para cocinar lejos del aparato después de usarlos.

**Cómo evitar daños en el aparato**

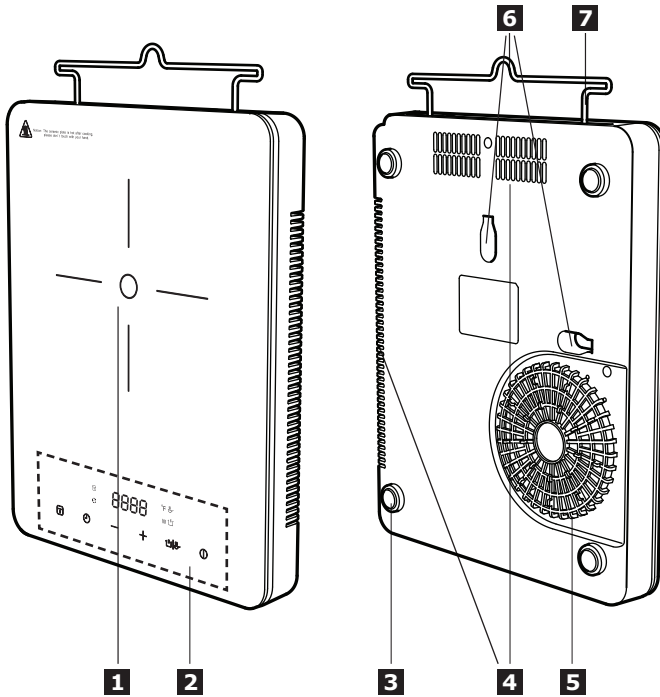
- La vitrocerámica puede sufrir daños por la caída de objetos o por golpes con los recipientes de cocina.
- Los recipientes de hierro fundido, aluminio fundido o con el fondo estropeado pueden rayar la vitrocerámica si se deslizan por su superficie.
- La vitrocerámica también puede sufrir daños si cae al suelo.
- Para evitar daños en los recipientes y en la vitrocerámica, no deje cocer los recipientes en seco.
- No utilice las zonas de cocción con recipientes vacíos o sin recipientes.
- Nunca cubra ninguna parte del aparato con papel de aluminio. Nunca coloque sobre el aparato plásticos ni otros materiales que puedan fundirse.

**⚠ iAdvertencia!** Mantenga enchufado el aparato al tomacorriente hasta que el ventilador y el indicador térmico se hayan apagado.

**Información sobre la acrilamida**

**iImportante!** Según los más recientes conocimientos científicos, el tostado excesivo de la comida, especialmente de productos que contengan almidón, puede constituir un riesgo para la salud a causa de la acrilamida. Por ello se recomienda cocinar a la temperatura más baja posible y no tostar excesivamente los alimentos.

## Descripción del aparato



**1** Área de calor

Área de cocción 175 mm, 1800 W

**2** Panel de control

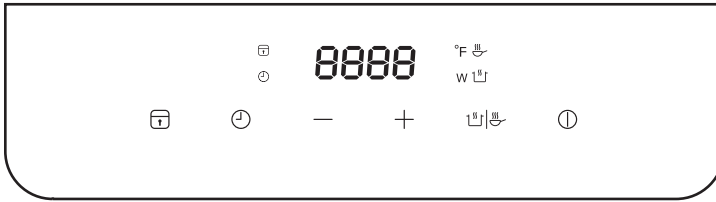
**3** Patas de goma

**4** Salida de aire

**5** Entrada de aire

**6** Gancho para colgar

**7** Asa de alambre/enrollador de cable



**Distribución del panel de control**

1. Activar y desactivar el Bloqueo/Seguro para niños
2. Activar el temporizador. El temporizador muestra "00:00" a "24:00" horas y minutos.
3. para aumentar los ajustes de calentar/freír o del temporizador, o para disminuirlos.

4. para seleccionar las funciones de cocción de Calentar o Freír.
5. Encender o apagar la placa.

**Campos e indicadores del sensor de control táctil**

La placa se maneja mediante los controles táctiles. La selección de una función se confirma por medio de indicadores y señales acústicas (pitido breve).

**Uso diario**



**Conexión al tomacorriente**

1. Después de introducir la clavija en el tomacorriente, se activa el bloqueo para niños. Mantenga pulsado el botón de bloqueo para niños durante 3 segundos para desactivarlo.

**ENCENDIDO/APAGADO**

1. Al pulsar el botón de encendido/apagado, la pantalla mostrará "---" como en el modo de espera. Si en 1 minuto no se ha seleccionado ninguna función, la placa se apagará automáticamente sin apretar el botón de encendido/apagado.
2. Si presiona el botón de encendido/apagado mientras el aparato está operando, la placa se apagará.

3. Oprima dos veces para activar la función Freír. La función Freír se mostrará en niveles de temperatura de 140 a 450°F (60 a 232°C).



**Ajustes del temporizador de Calentar/ Freír**

1. Oprima o para controlar el nivel de calor o ajustar el temporizador durante la operación.
2. Oprima para disminuir el nivel de calentar/freír.
3. Oprima para aumentar el nivel de calentar/freír.



**Bloqueo/Seguro para niños**

Puede bloquear el panel de control mientras las zonas de cocción están operando. Así se previene un cambio accidental del nivel de calor. Estando bloqueada la placa, puede apagarla con el botón de encendido/apagado.



**Calentar y Freír**

1. Seleccione la función Calentar o Freír apretando "Calentar/Freír" y la función elegida se encenderá.
2. Oprima una vez para activar la función Calentar. La función Calentar se mostrará en niveles de potencia de 60 W a 1800 W.

**Activar la función de bloqueo:**

1. Ajuste el nivel de potencia deseado.
2. Active la función de bloqueo con el botón de bloqueo. El botón de bloqueo queda activado cuando se enciende una luz y se produce un sonido. Si el botón del temporizador está activado, permanecerá encendido.

**Desactivar la función de bloqueo:**

1. Desactive la función de bloqueo oprimiendo el botón de bloqueo durante 3 segundos. El botón de bloqueo queda desactivado cuando se apaga la luz y se produce un sonido.
2. El nivel de potencia se revertirá al ajuste previo.

También puede mantener el panel de control bloqueado cuando la placa no esté operando. Esta función previene la activación accidental del aparato.

**Activar el seguro para niños**

1. Active el aparato con el botón de encendido/apagado. No fije ningún nivel de potencia.
2. Active el seguro para niños con el botón Bloqueo. El botón de bloqueo queda activado cuando se enciende una luz y se produce un sonido.
3. Desactive el aparato con el botón de encendido/apagado.

**Desactivar el seguro para niños**

1. Desactive el seguro oprimiendo el botón Bloqueo durante 3 segundos. El botón de bloqueo queda desactivado cuando se apaga la luz y se produce un sonido.

**Temporizador**

1. El temporizador sirve para ajustar un tiempo de cocción máximo de 24 horas. Oprima el botón Temporizador para activarlo y en la pantalla aparecerá "00:00".
2. Oprima  $\uparrow$  o  $\downarrow$  para ajustar el temporizador. Oprima  $\uparrow$  para fijar los minutos y oprima  $\downarrow$  para fijar las horas.
3. Si no hay ninguna operación en 5 segundos, se cancelará el temporizador.
4. Mientras esté activado el temporizador, en la pantalla aparecerán alternativamente el nivel de potencia y el tiempo. Puede desactivar el temporizador

con el botón Temporizador o con el botón de encendido/apagado.

5. Cuando se desactive el temporizador, la placa emitirá un pitido 5 veces y se apagará automáticamente.

**Apagado automático**

Esta función apaga automáticamente la placa si:

- Todas las zonas de cocción están apagadas.
- No ha fijado un nivel de potencia pasado 1 minuto después de haber encendido la placa.
- No apaga una zona de cocción o no modifica el nivel de potencia pasadas 2 horas o se produce un sobrecalentamiento (por ejemplo cuando un recipiente hierve en seco).

## Consejos útiles

- ❗ Los recipientes son adecuados para cocinas de inducción si están identificados por el fabricante.
- ❗ Al encender una zona de cocción, puede que se produzca un breve zumbido. Esto es característico de todas las zonas de cocción de vitrocerámica y no perjudica ni el funcionamiento ni la vida del aparato.

### Tamaño de los recipientes

Las zonas de cocción por inducción se adaptan automáticamente al tamaño de la base del recipiente. No obstante, existen diámetros mínimos dependiendo del tamaño de la zona de cocción.

Zona de cocción	Diámetro mínimo de la base del recipiente [mm]
Zona de cocción media posterior	120

### Ahorro de energía

- Mantenga los recipientes tapados, siempre que sea posible.
- Coloque el recipiente en la zona de cocción antes de encenderla.
- El fondo del recipiente debe ser lo más grueso y plano posible.

## Mantenimiento y limpieza

- ⚠ **iAdvertencia!** Apague el aparato y déjelo enfriar antes de desconectarlo.
- ⚠ **iAdvertencia!** Desconecte el aparato del tomacorriente antes de limpiarlo.
- ⚠ **iAdvertencia!** Por motivos de seguridad, no limpie el aparato con limpiadores de vapor o a presión.
- ⚠ **iAdvertencia!** Los objetos afilados y los limpiadores abrasivos pueden dañar el aparato. Limpie el aparato y elimine los residuos con agua y lavavajillas después de cada uso. ¡Elimine todos los residuos de agentes limpiadores!
- ❗ Los arañazos y manchas oscuras que no puedan eliminarse de la vitrocerámica no afectan al funcionamiento del aparato.

### Eliminación de residuos normales y difíciles:

- Los residuos de alimentos que contengan azúcar, plásticos y láminas de estaño deben quitarse inmediatamente. La mejor herramienta para la limpieza de la superficie de cristal es un rascador

(no incluido con el aparato). Coloque el rascador en ángulo sobre la superficie vitrocerámica y elimine los residuos deslizando la hoja sobre la superficie. Limpie el aparato con un paño húmedo y un poco de líquido lavavajillas. Finalmente frote el aparato con un paño cuando se haya secado.

- Para eliminar depósitos de sarro, manchas de agua, salpicaduras de grasa o decoloraciones metálicas brillantes, deje enfriar el aparato antes de usar limpiador para cerámica de vidrio y un paño suave. No use usar raspadores u otras herramientas afiladas para la limpieza.

**Qué hacer si...**

Problema	Causa posible	Solución
El aparato no funciona.	Falta de suministro eléctrico o cortocircuito en el suministro doméstico.	
	No se ha realizado correctamente la conexión al tomacorriente.	Compruebe que la alimentación esté bien conectada a la placa.
	Han pasado más de 10 segundos desde el encendido de la placa.	Vuelva a encender la placa.
	El seguro para niños está activado.	Desactive el seguro para niños. (Consulte la sección "Seguro para niños").
	Se han tocado varios sensores al mismo tiempo.	Toque un solo sensor.
El aparato deja de funcionar. Indicación de error: <b>E 1</b>	El recipiente no es apto para la placa por inducción.	Cambie el recipiente y utilice uno adecuado para inducción.
	No hay ningún recipiente en la zona de cocción.	Coloque un recipiente en la zona de cocción.
El aparato deja de funcionar. Indicación de error: <b>E 2</b>	El recipiente está vacío (cocción en seco) o la temperatura de cocción es demasiado alta.	Apague el aparato y vuelva a encenderlo después de 5 minutos. Si sigue apareciendo E2, póngase en contacto con su tienda IKEA más cercana.
	La entrada y la salida de aire están bloqueadas.	
	La temperatura del entorno es demasiado alta.	
El aparato deja de funcionar. Indicación de error: <b>E 3</b>	La alimentación de corriente es superior a 150 V CA.	Cambie a una alimentación de corriente adecuada para el aparato.
El aparato deja de funcionar. Indicación de error: <b>E 4</b>	La alimentación de corriente es inferior a 90 V CA.	Cambie a una alimentación de corriente adecuada para el aparato.
El aparato deja de funcionar. Indicación de error: <b>E 5</b>	El sensor de temperatura no está funcionando.	Póngase en contacto con la tienda IKEA más cercana.
El aparato deja de funcionar. Indicación de error: <b>E 6</b>	El recipiente está vacío (cocción en seco) o la temperatura de cocción es demasiado alta.	Deje que el aparato se enfríe y para freír/saltear recuerde usar la función Freír y no la función Calentar.

Si se produce un fallo, intente primero encontrar usted mismo una solución al problema. Si no puede encontrarla, póngase en contacto con su tienda IKEA más cercana.


**i** Si utilizó el aparato de forma incorrecta, puede que la reparación no se realice de forma gratuita, incluso durante el periodo de garantía.

## Información técnica


### Datos técnicos

Potencia nominal	1800 W
Tensión nominal	120 V~
Frecuencia nominal	60 Hz
Fondo	385 mm
Ancho	300 mm
Alto	54 mm
Peso neto	3 kg


## Cuestiones medioambientales

El símbolo  en el producto y en el embalaje indica que este producto no puede ser tratado como residuo doméstico. Este producto debe eliminarse en el punto de recogida para reciclaje de equipos eléctricos o electrónicos. La correcta eliminación de este producto ayuda a prevenir las consecuencias negativas para el medio ambiente y la salud. Para obtener información más detallada sobre el reciclaje de este producto, póngase en contacto con las autoridades locales, el servicio de recolección de residuos domésticos o el comercio donde haya adquirido el producto.

### Material de embalaje

Los materiales marcados con el símbolo  son reciclables. Deposite el embalaje en un contenedor adecuado para su reciclaje.

### Antes de eliminar el aparato

 **¡Advertencia!** Siga los siguientes pasos para la eliminación del aparato:

- Desenchúfelo del tomacorriente.
- Corte el cable de alimentación y deséchelo.



## GARANTÍA IKEA

### ¿Qué periodo de validez tiene la garantía de IKEA?

Esta garantía es válida durante cinco (5) años a partir de la fecha original de compra de su aparato IKEA, a no ser que el aparato tenga la denominación LAGAN o TILLREDA, en cuyo caso se aplicará una garantía de dos (2) años. Como prueba de la compra, necesitará la factura o recibo de compra original. Si se realizan reparaciones en el periodo de garantía, no se ampliará el periodo de garantía del electrodoméstico.

### ¿Quién llevará a cabo el servicio?

Póngase en contacto con la tienda IKEA más cercana.

### ¿Qué cubre esta garantía?

La garantía cubre defectos del aparato, que pueden haber sido causados por defectos de fabricación o de materiales a partir de la fecha de la compra en IKEA. Esta garantía se aplica sólo al uso doméstico. Las excepciones se especifican en el título "¿Qué no cubre esta garantía?" Dentro del periodo de garantía, los costes para remediar el fallo, por ejemplo reparaciones, piezas, mano de obra y desplazamientos quedarán cubiertos, siempre que la reparación del aparato se efectúe sin gastos especiales. Las piezas sustituidas pasarán a ser propiedad de IKEA.

### ¿Qué hará IKEA para solucionar el problema?

IKEA examinará el producto y decidirá, según su criterio, si está cubierto por la garantía. En caso afirmativo, IKEA decidirá según su criterio si reparará el producto defectuoso o lo reemplazará por otro igual o similar.

### ¿Qué no cubre esta garantía?

- El deterioro o desgaste normal.
- Daños deliberados o causados por negligencia, daños causados por incumplimiento de las instrucciones de operación, instalación incorrecta, conexión a una tensión incorrecta, daños causados por reacciones químicas o electroquímicas, óxido, corrosión o daños causados por el agua incluyendo pero sin limitarse a los daños causados por un exceso de sarro en el agua, y los daños provocados por condiciones medio

ambientales anormales.

- Piezas consumibles, incluyendo baterías y focos.
- Piezas no funcionales y decorativas, que no afecten el uso normal del electrodoméstico, incluido cualquier posible arañazo y las diferencias de color.
- Daños accidentales provocados por sustancias u objetos extraños, por la limpieza o por el desbloqueo de los filtros, los sistemas de vaciado o los cajetines para el jabón.
- Daños provocados en las siguientes piezas: vidrio cerámico, accesorios, cestos para la vajilla y los cubiertos, tuberías de llenado o vaciado, juntas, focos o sus cubiertas, pantallas, mandos, revestimientos y partes de los revestimientos protectores. Salvo que se demuestre que tales daños hayan sido provocados por fallos en la producción.
- Reparaciones no realizadas por nuestros proveedores de servicios y/o un servicio autorizado por IKEA, o cuando se utilicen piezas no originales.
- Reparaciones provocadas por una instalación defectuosa o que no cumpla las especificaciones de instalación.
- Uso del aparato en un entorno no-doméstico, por ejemplo en aplicaciones profesionales.
- Daños de transporte. Si un cliente transporta el producto a su casa o a otra dirección, IKEA no se responsabiliza de los daños que pueda sufrir en el trayecto. Sin embargo, si IKEA entrega el producto en la dirección indicada por el cliente, los daños en el producto producidos con motivo del transporte serán cubiertos por IKEA.
- Costo de la instalación inicial del aparato IKEA. Sin embargo, si un proveedor de servicios de IKEA o su servicio autorizado repara o sustituye el aparato con arreglo a esta garantía, el proveedor de servicios o su servicio autorizado volverán a instalar el aparato arreglado o nuevo, si es necesario.

### ¿Cómo se aplica la ley nacional?

La garantía IKEA le otorga derechos legales específicos, que cubren o exceden todas las normativas legales locales. Sin embargo, estas condiciones no limitan de ningún modo

los derechos de los consumidores descritos en la legislación local.

**Área de validez**

Esta garantía de IKEA se aplica sólo a los productos adquiridos e instalados en los Estados Unidos de América, Canadá y República Dominicana.

Sólo existe la obligación de realizar servicios en el marco de la garantía si el aparato cumple y está instalado según:

- Las especificaciones técnicas del país en el que se realiza el reclamo;
- Las instrucciones de montaje y la información de seguridad del Manual del Usuario.

**SERVICIO POSTVENTA para electrodomésticos IKEA**

No dude en contactar a IKEA para:

- Solicitar un servicio contemplado por esta garantía;
- Solicitar aclaraciones sobre las funciones de los aparatos IKEA.

Para asegurar de que le proporcionaremos la mejor asistencia, por favor, lea atentamente las Instrucciones de Montaje y/o el Manual de Instrucciones antes de contactarse con nosotros.



**¿Cómo contactarse con nosotros si necesita nuestro servicio?**

El servicio de atención al cliente de IKEA le ayudará telefónicamente en la solución de problemas básicos de su aparato en el momento de la llamada. Por favor, consulte el catálogo IKEA o visite la página web **www.ikea.com** para localizar el número de teléfono de su tienda local y los horarios de apertura.

**Para poder proporcionarle un servicio más rápido, indique siempre el número de artículo IKEA (código de 8 dígitos) que se encuentra en la plaqueta de características técnicas de su aparato.**

**¡GUARDE LA FACTURA O RECIBO DE COMPRA!**

Es la prueba de la compra y la necesitará para hacer uso de la garantía. El recibo

también incluye el nombre y el número del producto (8 dígitos) de IKEA, para cada uno de los electrodomésticos que compre.

**¿Necesita ayuda adicional?**

Para todas las consultas adicionales sobre sus aparatos, no relacionadas con el Centro de servicio autorizado, por favor, diríjase a la central telefónica de la tienda IKEA más cercana. Le recomendamos que lea atentamente la documentación del aparato antes de contactarse con nosotros.



